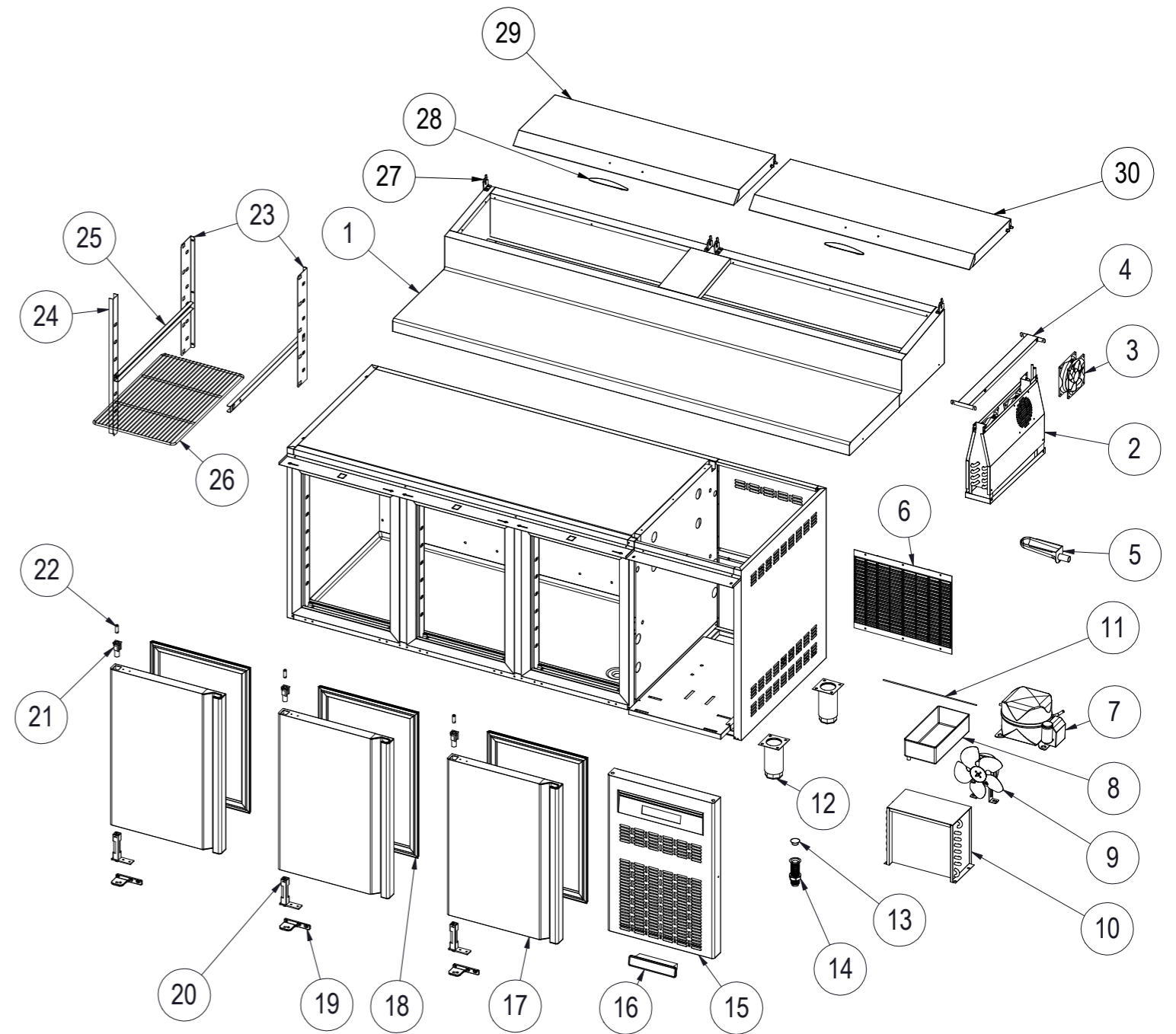


Nº	DESCRIPCIÓN	DESCRIPTION	DMFG70-135	DMFG70-180	DMFG70-225	DMFG70-270
1	ENCIMERA DMFG70 1/4	WORKTOP DMFG70 1/4	M181010850	M181010853	M181010855	M181010857
	ENCIMERA DMFG70 1/6	WORKTOP DMFG70 1/6	M181010851	M181010854	M181010856	M181010858
2	EVAPORADOR DMFG	EVAPORATOR DMFG	6029010218	6029010218	6029010218	6029010218
3	VENTILADOR EVAPORADOR	EVAPORATOR FAN	6021050006	6021050006	6021050006	6021050006
4	TAPA EVAPORADOR	EVAPORATOR COVER	M109051153	M109051153	M109051153	M109051153
5	DESAGUE CANALIZADOR	DRAIN CANAL	6003010184	6003010184	6003010184	6003010184
6	REJILLA TRASERA MOTOR	REAR VENTILATION GRILLE	6003010181	6003010181	6003010181	6003010181
7	COMPRESOR DMFG	COMPRESSOR DMFG	6021010226	6021010236	6021010236	6021010232
8	BANDEJA EVAP. AUTOM.	AUTOMATIC EVAP. TRAY	6033090152	6003010023	6003010023	6003010023
9	VENTILADOR CONDENSADOR DMFG	CONDENSER FAN DMFG	6021050119	6021050126	6021050126	6021050106
	ASPA VENT. DEL COND. DMFG	CONDENSER FAN BLADE DMFG	6021050043	6021050094	6021050094	6021050080
10	CONDENSADOR DMFG	CONDENSER DMFG	6029020008	6029020002	6029020002	6029020110
11	RESISTENCIA CARTUCHO	CARTRIDGE RESISTANCE	212500047	-	-	-
12	PATA REGULABLE	ADJUSTABLE FEET	6007050017	6007050017	6007050017	6007050017
13	TAPÓN DESAGUE 3/4	DRAIN CAP 3/4	6003010262	6003010262	6003010262	6003010262
14	DESAGUE 3/4	DRAIN TUBE 3/4	6003010326	6003010326	6003010326	6003010326
15	REJILLA CUADRO MANDOS	CONTROL PANEL GRILLE	M177010087	M177010087	M177010087	M177010087
16	TERMOSTATO	THERMOSTAT	6021350114	6021350114	6021350114	6021350114
17	SONDA	PROBE	6021350083	6021350083	6021350083	6021350083
18	PUERTA DMFG	DOOR DMFG	M169010084	M169010084	M169010084	M169010084
19	BURLETE	SEAL	6045010119	6045010119	6045010119	6045010119
20	SOP. BISAGRA INF. IZQ.	LOWER LEFT HINGE SUPPORT	6033010098	6033010098	6033010098	6033010098
21	BISAGRA DE TORSIÓN	TORSION HINGE	6033010100	6033010100	6033010100	6033010100
22	CAJA ALOJAMIENTO MUELLE	HINGE PIN SUPPORT	6003010136	6003010136	6003010136	6003010136
23	EJE PUERTA	SPLINDE DOOR	6033090064	6033090064	6033090064	6033090064
24	CREMALLERA RESPALDO	BACK SHELF RACK	M109051138	M109051138	M109051138	M109051138
25	CREMALLERA MARCO	FRONT SHELF RACK	M109051135	M109051135	M109051135	M109051135
26	JUEGO DE GUÍAS "U" 562mm	SET OF SHELF SLIDES "U" 562mm	6033050027	6033050027	6033050027	6033050027
27	PARRILLA	SHELF	6027010003	6027010003	6027010003	6027010003
28	KIT HERRAJE	CONTAINER COVER KIT	6033110003	6033110003	6033110003	6033110003
29	TIRADOR INOX	INOX HANDLE	6033010130	6033010130	6033010130	6033010130
30	TAPACUBETA COMPLETA (A) 1/4	COMPLETE TRAY COVER (A) 1/4	M181090023	M181090002	M181090021	M181090023
	TAPACUBETA COMPLETA (A) 1/6	COMPLETE TRAY COVER (A) 1/6	M181090017	M181090015	M181090034	M181090017
	TAPACUBETA COMPLETA (B) 1/4	COMPLETE TRAY COVER (B) 1/4	-	M181090002	M181090020	M181090023
	TAPACUBETA COMPLETA (B) 1/6	COMPLETE TRAY COVER (B) 1/6	-	M181090015	M181090033	M181090017

Gas R290



Nº	DESCRIPCIÓN	DESCRIPTION	DMFG70-135	DMFG70-180	DMFG70-225	DMFG70-270
2*	EVAPORADOR DMFG	EVAPORATOR DMFG	6029010218	6029010218	6029010218	6029010218
7*	COMPRESOR DMFG	COMPRESSOR DMFG	6021010184	6021010142	6021010142	6021010142
9*	VENTILADOR CONDENSADOR DMFG	CONDENSER FAN DMFG	6021050106	6021050106	6021050106	6021050106
	ASPA VENT. DEL COND. DMFG	CONDENSER FAN BLADE DMFG	6021050080	6021050080	6021050080	6021050080
10*	CONDENSADOR DMFG	CONDENSER DMFG	6029020002	6029020003	6029020003	6029020003

*Gas opcional R-134a (Optional gas R-134a)